

**preva  
urbana**

# preva urbana

square as a garden



# preva urbana

Combining style with outstanding ergonomics creating a surprisingly comfortable bench. The bench is great for such areas because it is surprisingly resistant and durable, and thanks to elaborated ergonomics it is also remarkably comfortable. It originates from classical garden furniture aesthetics and brings the garden feeling even to public areas. And the bench is not afraid of them because it is surprisingly resistant and durable and thanks to elaborated ergonomics it is also remarkably comfortable. The steel frame variation shows an interesting change in appearance and extends its variability of usage.

Awarded the prize “Good Design 2006”

*Galvanized steel structure made of strip steel with stoving varnish coat in standard shade. The backrests and armrests create a joined strip of wooden lamellas or a frame from steel round-logs. Can be easily anchored into the foundation.*

# preva urbana



# preva urbana



# preva urbana



# preva urbana



# preva urbana





# preva urbana



# preva urbana



# preva urbana



# preva urbana



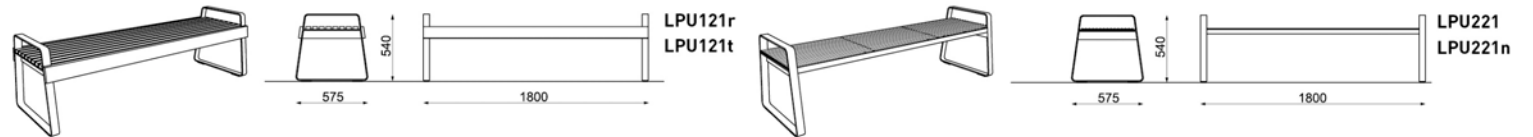
# preva urbana

r – acacia wood  
t – tropical wood  
n – stainless steel

LPU121 / 221

## Park bench

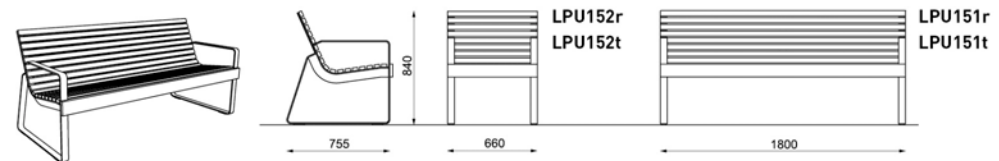
steel structure, seat made of wooden lamellas / or stainless steel round grids



LPU151 / 152

## Park bench with backrest and armrests

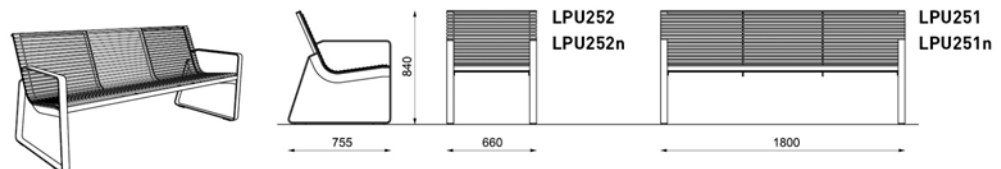
steel structure, seat and backrest made of wooden lamellas



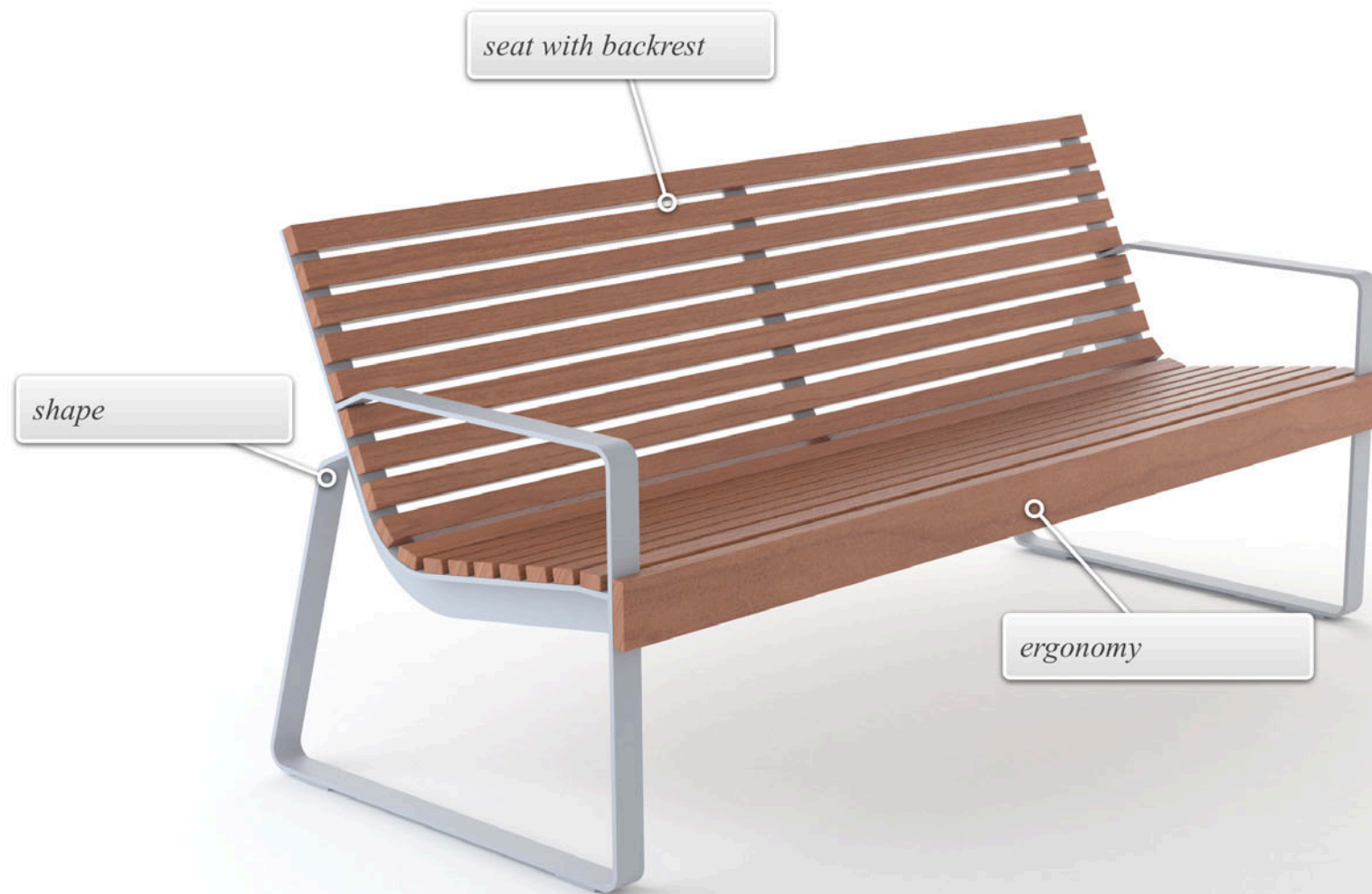
LPU251 / 252

## Park bench with backrest and armrests

steel structure, seat and backrest made of steel or stainless steel round grids



# preva urbana



# preva urbana

*shape*  
The bench reminds of  
garden furniture.



*ergonomy*

# preva urbana

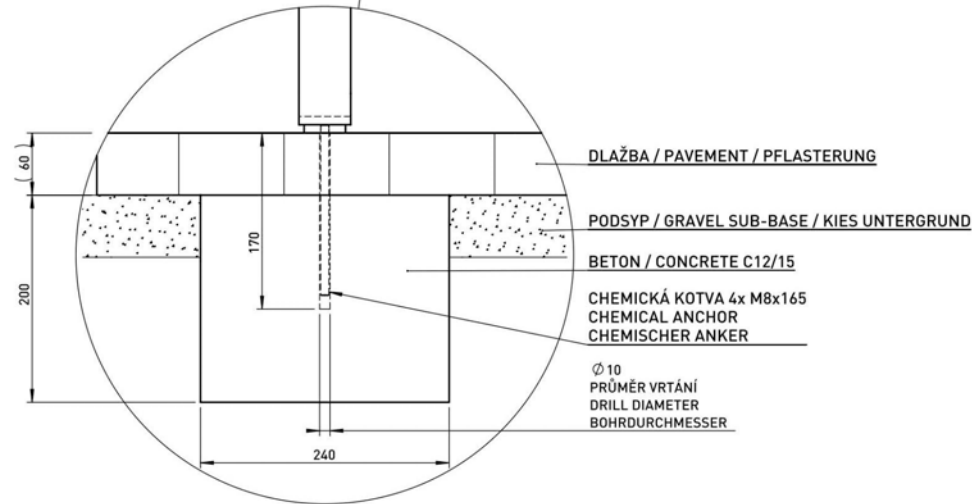
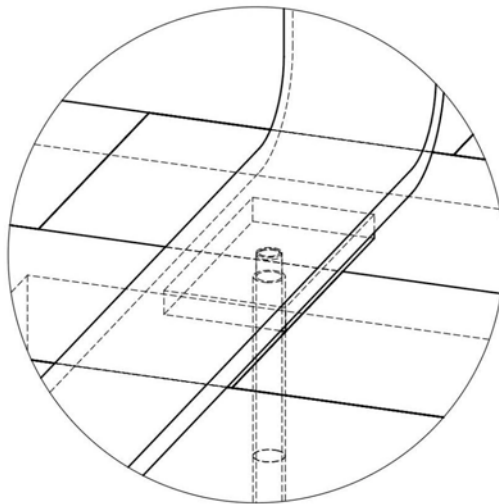
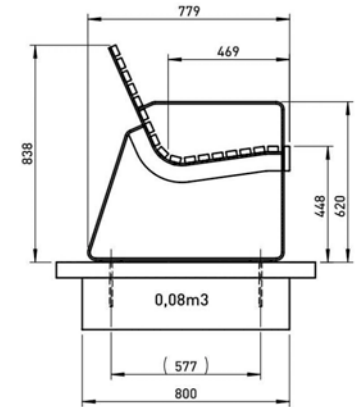
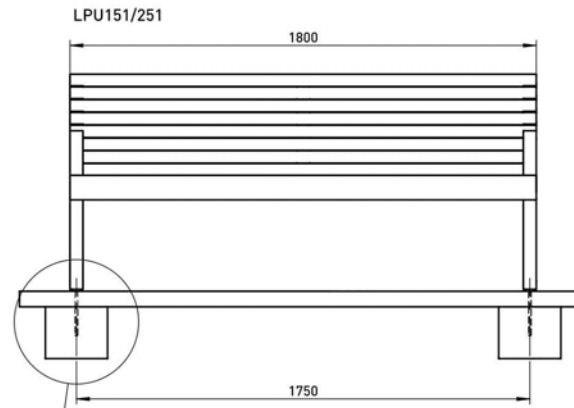
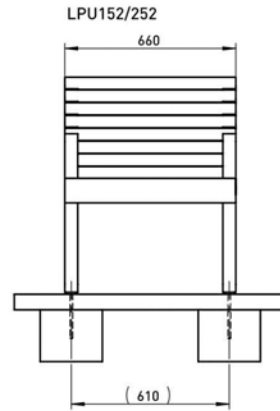
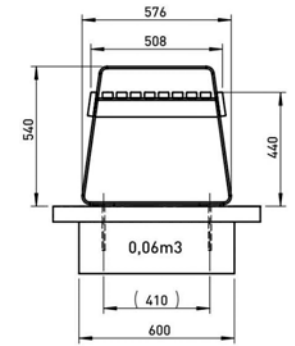
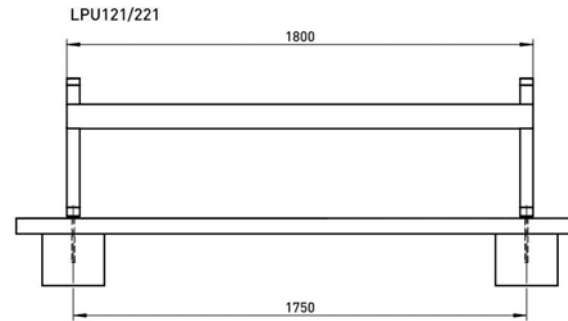




# preva urbana



*ergonomy*  
Extremely comfortable  
bench for long sitting.



TECHNICAL SPECIFICATIONS 3/5  
**LPU - PREVA URBANA**

