

**portiqoa**

# portiqoa

sophisticated shaping



# portiqoa

The perfect bench for those who love smart shapes. Its softly curved sides are made of aluminium alloy which work together with diagonally constructed walls to create an exciting optical illusion. The bench touches the base with only a narrow edge and from some angles reveals some impossibly thin lines. The continuous lamella frame arches to below the seat so as to significantly strengthen the entire structure. Individually shaped armrests placed in the middle prevent anyone from lying down, just as the pair of armrests on either side make it easy to get up.

*The sideboard is made from machined castings from aluminium alloy; the saddle and armrest of the lamella are from solid wood. An original and solidly-fixed footing above the pavement is anchored to the ground.*



# portiqoa





# portiqoa





# portiqoa





# portiqoa





# portiqoa





# portigoa





# portiqoa





# portiqoa





# portiqoa





# portiqoa





# portiqoa





# portiqoa





# portiqoa





# portiqoa





# portiqoa





# portiqoa





# portiqoa





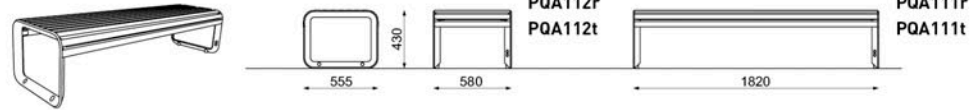
# portiqoa

r – acacia wood  
t – tropical wood

PQA111 / 112

## Park bench

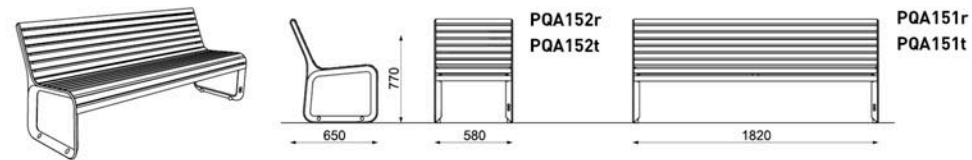
aluminium alloy structure, seat made of wooden lamellas



PQA151 / 152

## Park bench with backrest

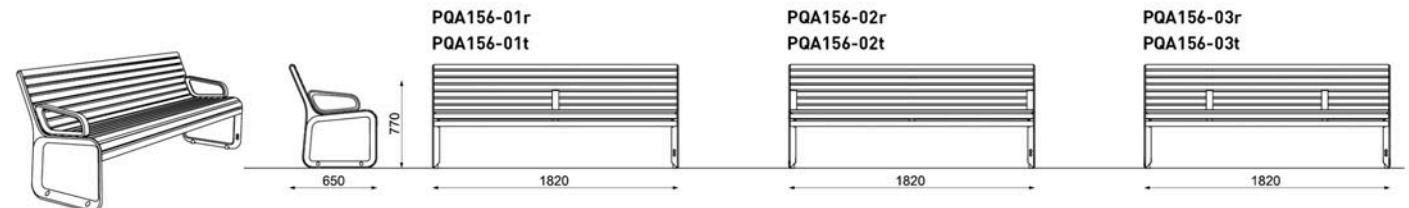
aluminium alloy structure, seat and backrest made of wooden lamellas



PQA156

## Park bench with backrest and armrests

aluminium alloy structure, seat and backrest made of wooden lamellas





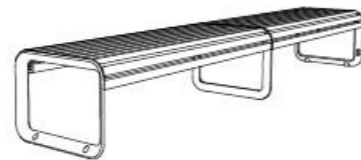
# portiqoa

PQA113

NEW 2014

## Double park bench

*aluminium alloy structure, seat made of wooden lamellas*

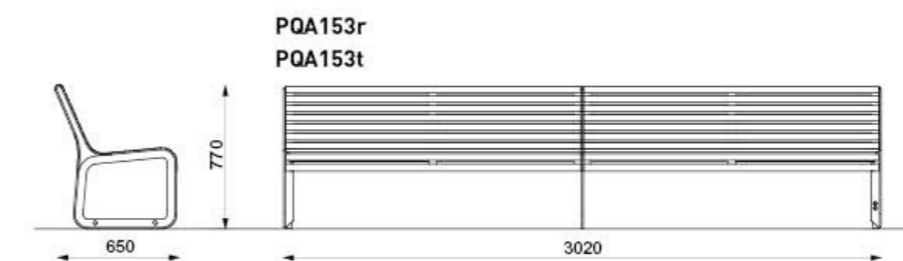


PQA153

NEW 2014

## Double park bench with backrest

*aluminium alloy structure, seat and backrest made of wooden lamellas*





# portiqoa

---





# portiqoa



*optical effect*

Some views reveal  
incredibly thin lines, the  
bench levitates above the  
pavement.



# portiqoa

---

*lamella grate*  
One-piece lamella grate  
reinforces the bench  
structure.



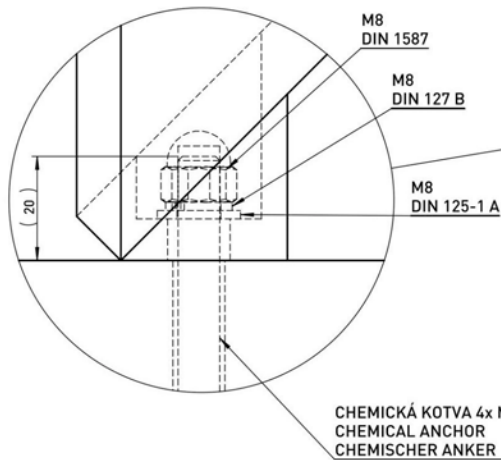
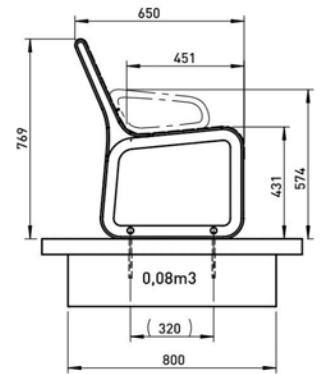
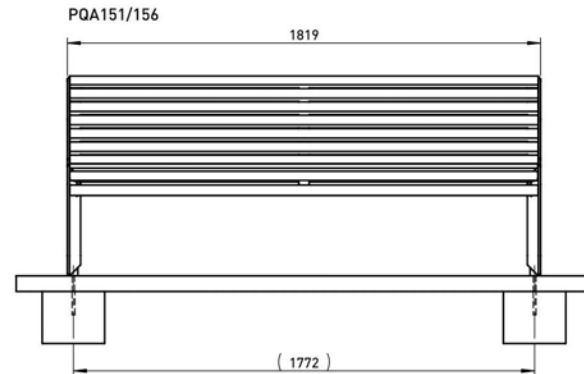
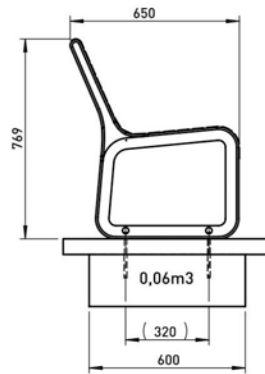
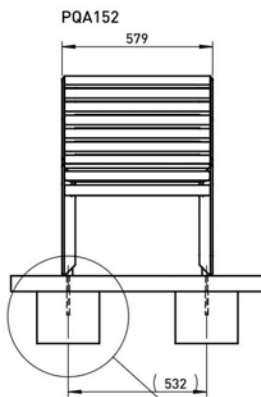
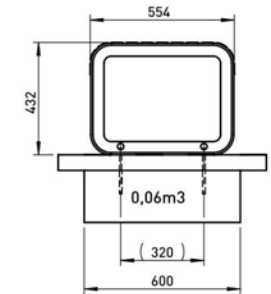
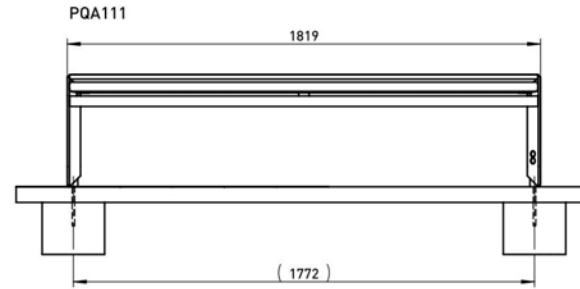
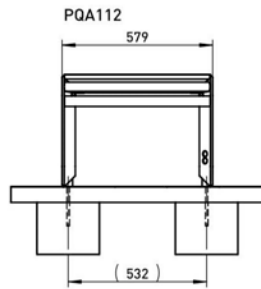


# portiqoa

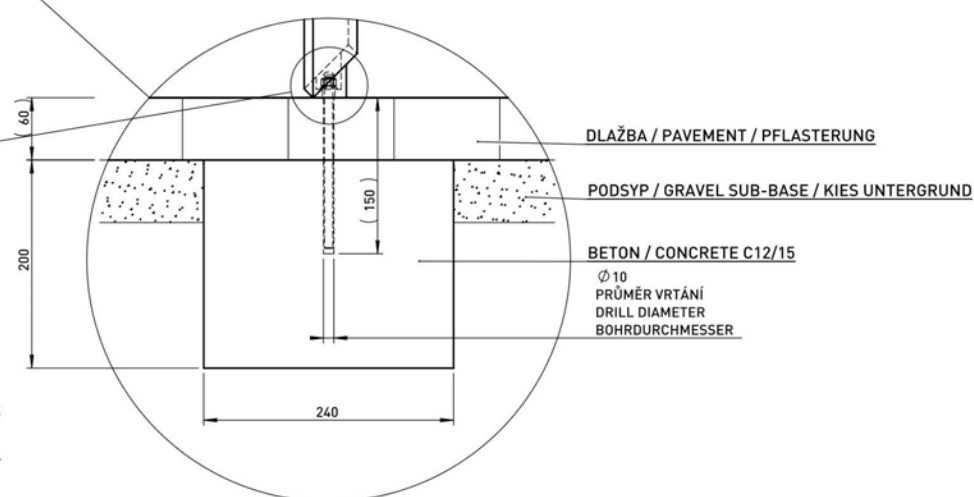


*side frames*  
Softly sculpted side frames  
of aluminum alloy.





CHEMICKÁ KOTVA 4x M8x165  
CHEMICAL ANCHOR  
CHEMISCHER ANKER

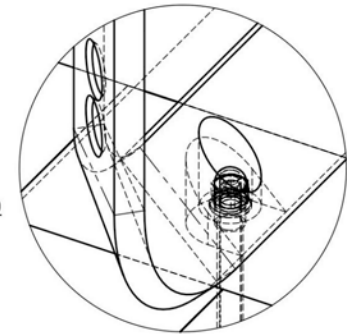


DLAŽBA / PAVEMENT / PFLASTERUNG

PODSYP / GRAVEL SUB-BASE / KIES UNTERGRUND

BETON / CONCRETE C12/15

Ø 10  
PRŮMĚR VRTÁNÍ  
DRILL DIAMETER  
BOHRDURCHMESSER



TECHNICAL SPECIFICATIONS 3/5  
**PQA - PORTIQQA**



mmcite.com