

**miela**

**miela**

elegant, not frail



# miela

Design has finally reached its goal – Refinement in unity and in detail. This charismatic bench profits from the modelled anatomy of its sideboard castings and is enhanced by the softly shaped upper lamella of the armrest. This is a carefully elaborated bench, and has been cultivated for the contours to flutter above the paving, bringing new craftsmanship standards to the field of street furniture. It creates the right contemporary counterbalance to the most valuable historical sites as well as humanizing modern areas already full of uncompromising architecture.

*The sideboard is made from machined castings of aluminum alloy, the saddle and armrest of the lamella are made from solid wood. An original and solid-footing are fixed to the groundwork and pavement. It has also been newly shaped as a bollard from cast aluminium.*

miela



miela



miela



miela



miela





miela



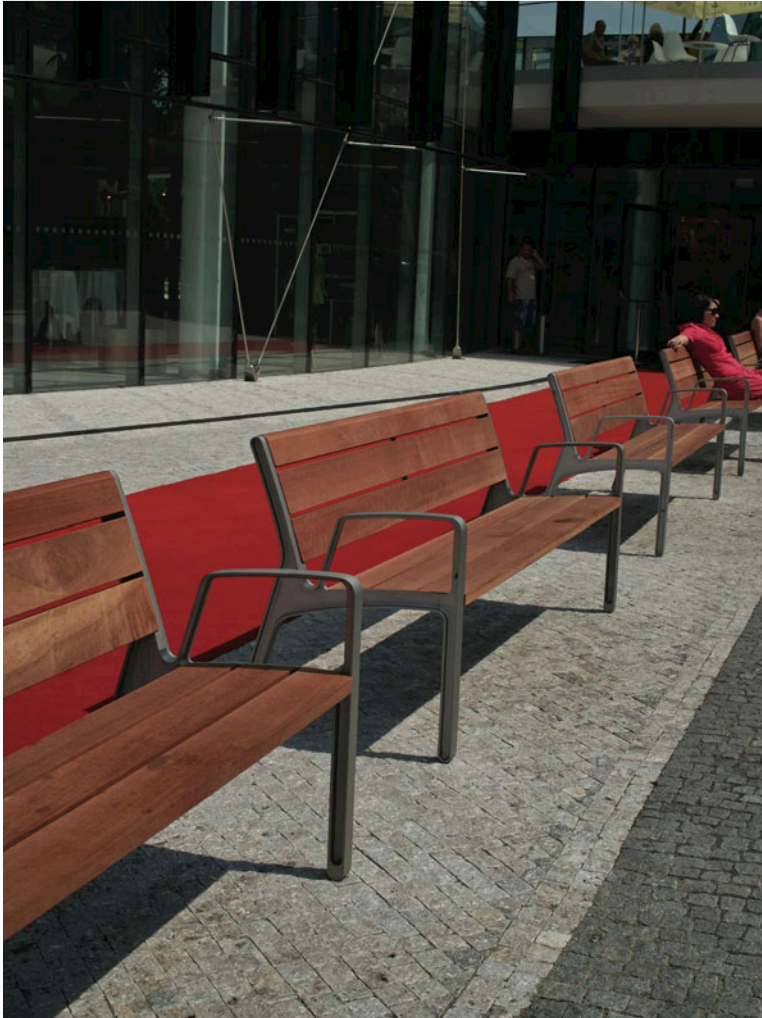
miela



miela



miela



miela



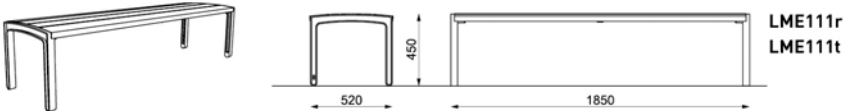
miela



LME111

**Park bench**

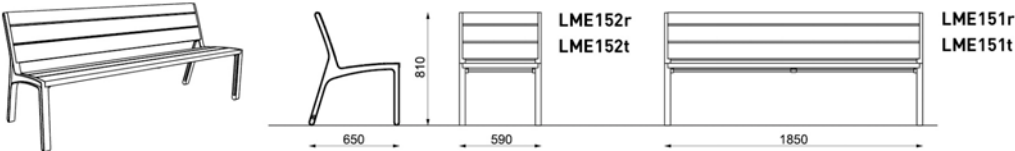
*aluminium alloy structure, seat made of wooden boards*



LME151 / 152

**Park bench with backrest**

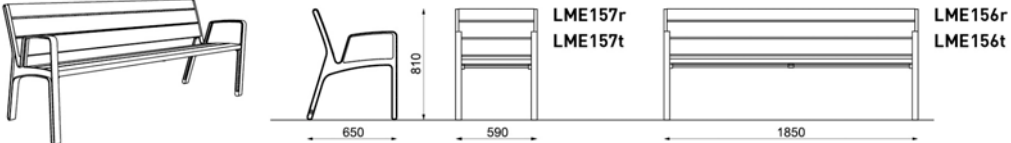
*aluminium alloy structure, seat and backrest made of wooden boards*



LME156 / 157

**Park bench with backrest and armrests**

*aluminium alloy structure, seat and backrest made of wooden boards*

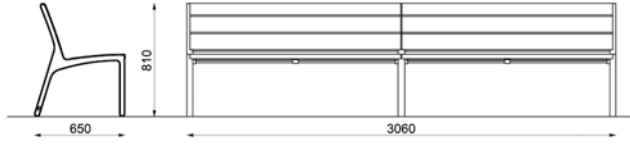
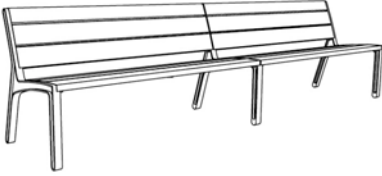


r – acacia wood  
t – tropical wood

LME153

**Double park bench with backrest**

*aluminium alloy structure, seat and backrest made of wooden boards*

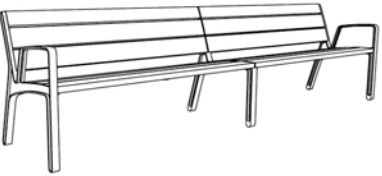


LME153r  
LME153t

LME158

**Double park bench with backrest and armrests**

*aluminium alloy structure, seat and backrest made of wooden boards*



LME158r  
LME158t



**miela**



# miela

*cast side frames*  
Cast aluminum alloy  
combined with naturally  
aging tropical wood  
minimize a maintenance  
need.



*levitating silhouette*

miela

*backrest*  
Finally machined top  
backrest lamella of  
massive wood.

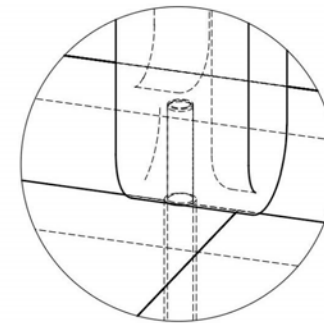
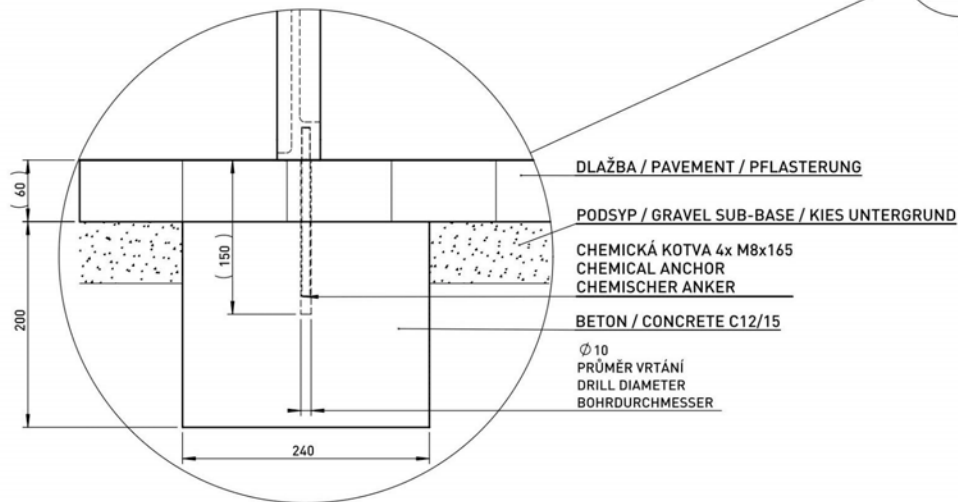
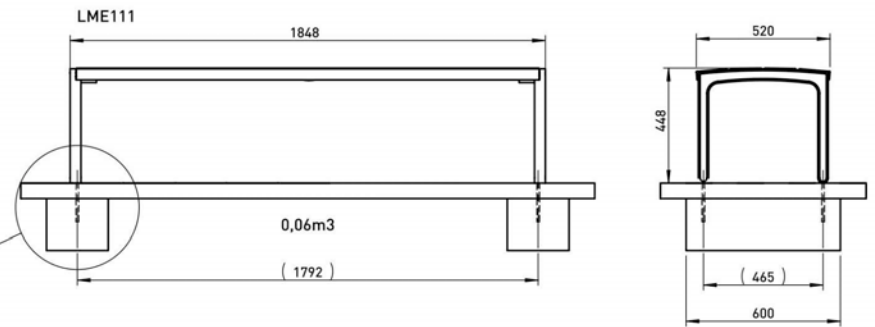
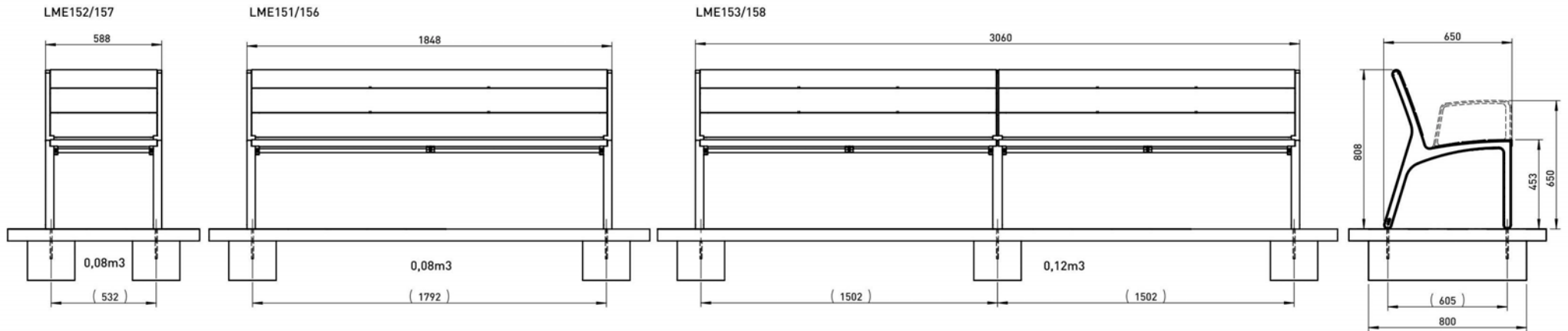


# miela



*le frames*

*levitating silhouette*  
Cultivated, bench silhouette  
levitating above the paving.



TECHNICAL SPECIFICATIONS 3/5  
**LME - MIELA**



[mmcite.com](http://mmcite.com)